

1 Your NiteSite product

Congratulations on the purchase of your NiteSite product! Before you start to use the NiteSite system please carefully read these instructions, to enjoy optimum performance and a long service life.

There are three products in the **RTEK** scope mount range for you to enjoy. The **Eagle, Wolf** and **Viper**. Please read the relevant information regarding your product purchase contained in this instruction manual. NiteSite scope mount product's viewing ranges expressed are dependent on the scope optic and weather conditions.

Intended use

The NiteSite products are add on devices for use with an existing rifle and scope. They are also for use in daylight. During darkness the NiteSite products will achieve a night vision identification range of up to 500 metres depending on the model purchased, weather conditions and optic.

NiteSite Ltd does not bear responsibility for the use of this product in countries or territories where the law prohibits its use. It is the sole responsibility of the operator to comply with the laws and regulations of the country or territories where the NiteSite add on devices are used.

Setting up your NiteSite

Step 1

Fully charge the battery before use. Please ensure this is always done using the charger supplied in your kit.

Step 2

Fix the illuminator module to the scope. Check the size of the rifle scope and select the appropriate clamp from the NiteSite kit (1 inch or 30mm.) Remove the fixing bolt and knob from the clamp. Open up the clamp and slide it over the scope tube, attach the anti-recoil clamp, then replace the fixing bolt and knob. Slide the illuminator module into the clamp "T" slot; once in place slide the anti-recoil clamp upwards to cover the 'T' slot. Then tighten the knob until the illuminator module is secure. Check that the LCD screen is facing the eye piece. Do not over tighten the clamp as this may damage the clamp.

Step 3

Select one of the rubber sleeves to suit your scope (see page 2.) and place onto the scope eye bell. Push the camera module into the end of the sleeve. Focus the camera according to the instructions given in this manual (see page 3.)

Step 4

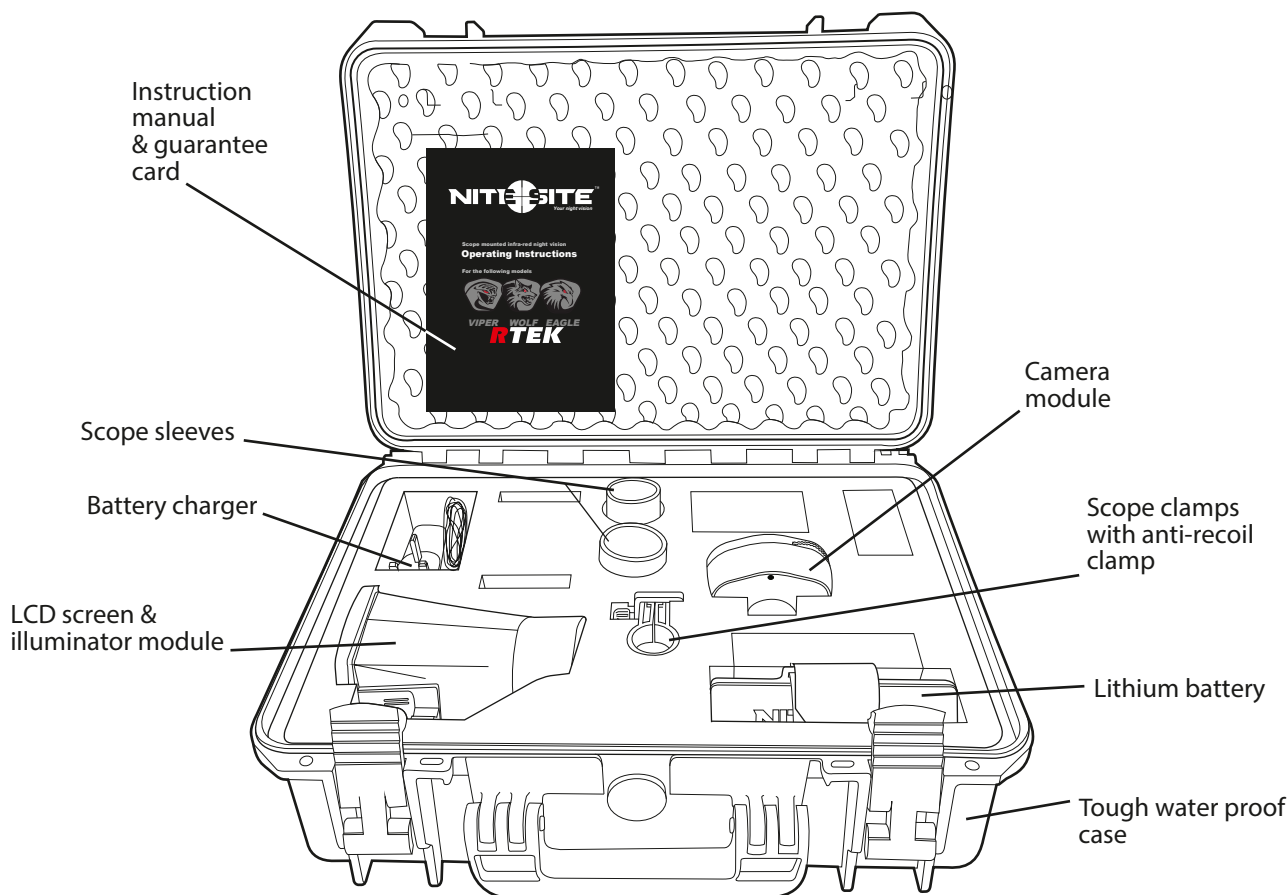
Connect the power supply cable and the illuminator cable into the back of the camera module.

Step 5

Turn on the NiteSite system with the on /off button located at the rear of the camera module. The LCD screen will power on and the NiteSite system is in day mode. When in total darkness adjust the infra-red LED intensity level by turning the knob on top of the illuminator module clockwise until an image appears on the LCD screen.

Click on your model below to see the respective products **kit contents**

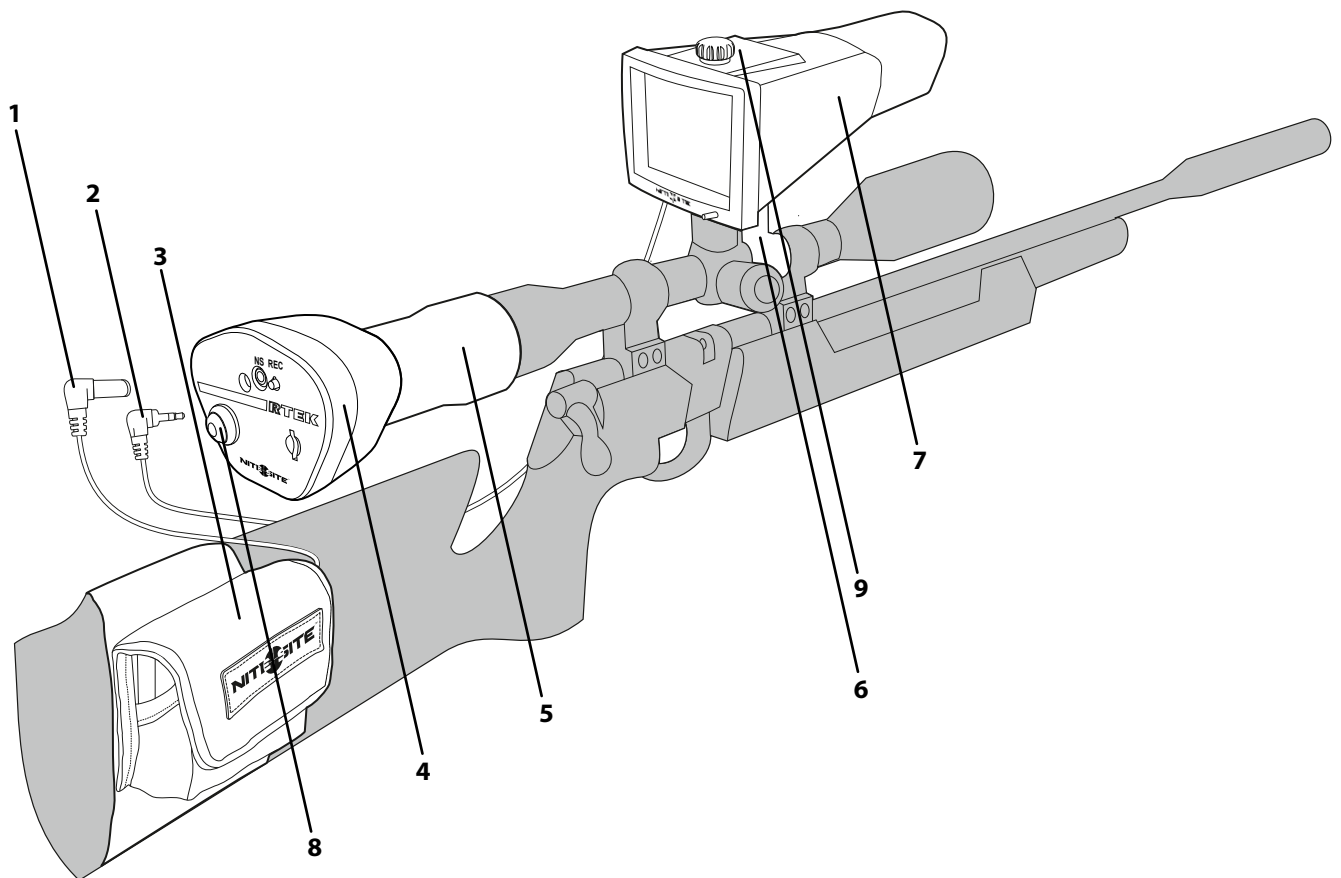




Kit Components

- 1 x Camera module
- 1 x 4GB micro SD card
- 1 x Dimmable LCD screen & illuminator module
- 1 x Scope clamp 1 inch (25mm)
- 1 x Scope clamp 30mm
- 1 x Anti-recoil clamp
- 2 x Scope sleeve
- 1 x Ferrite
- 1 x Lithium-ion battery *
- 1 x Lithium-ion battery Charger *
- 1 x Carry case
- 1 x Instruction manual
- 1 x Guarantee card

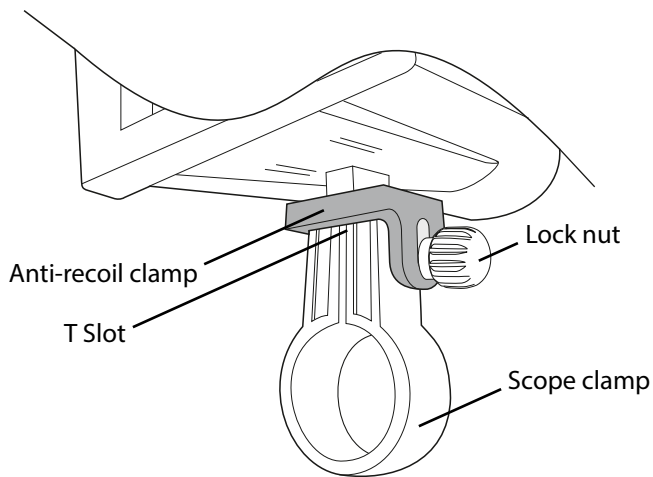
* Varies dependant on the product purchased



- 1 12-volt DC power supply cable
- 2 Illuminator connecting cable
- 3 Stock mounted battery (information on page 5)
- 4 Camera module - infra-red (IR) camera, 12-volt DC power supply socket.
Optional integrated WIFI
Recording capabilities.

A 4 gigabyte (4GB) Micro SD card is supplied with all RTEK camera modules and gives two hours and twenty minutes of recording capability.

- 5 Scope sleeves are flexible enough to stretch over most round scope eye piece. Smaller scope sleeve may need softening in hot water for larger scope eye pieces
- 6 Scope Clamps - There are two sizes of scope clamps provided in all the NiteSite scope mount kits
Anti recoil clamp - The anti-recoil clamp included in all scope mount kits prevents the illuminator module from moving out of the "T" slot due to recoil.
- 7 RTEK Illuminator module - Infra-red protective lens cover.
3.5" dimmable screen.
connecting cable.
- 8 On/off button located on the reverse face of the camera module
- 9 LED infra-red (IR) illuminator intensity dimming control knob

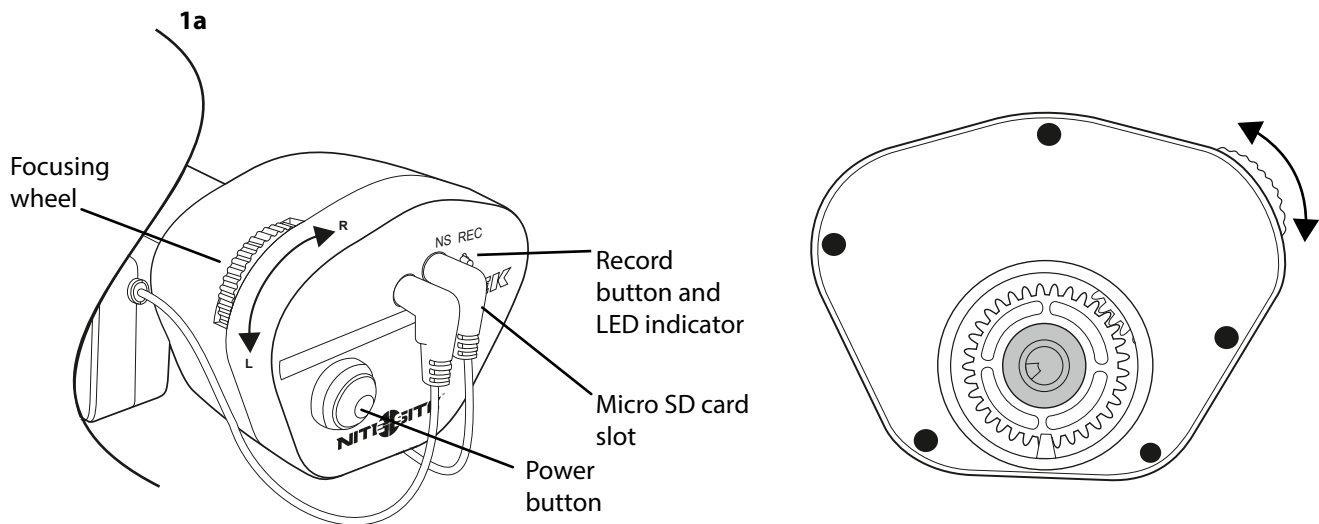


Fixing the scope and anti-recoil clamps

The anti-recoil clamp will prevent the illuminator module from sliding out of the clamp 'T' slot through recoil.

Once the scope clamp is fitted, place the anti recoil clamp over the scope clamp. Put the scope clamp bolt in place, passing it through the anti recoil clamp slot. Place the illuminator 'T' piece into the scope clamp 'T' slot. Once in place, slide the anti-recoil clamp upwards to cover the 'T' slot. Once in place tighten the scope clamp nut until secure.

The Camera module



- 1a** The RTEK camera module has the capability to capture video simply at the push of a button. Before turning on the camera module, place the micro SD card into the slot on the back of the camera module.

Power the camera module via the button on the back of the camera module. The red light appears steady on the back of the camera unit. Allowing 2-3 seconds to warm up, the camera is now ready to record. The record button is situated above the SD card slot on the back of the camera module (REC).

To start recording press the record button once, the LED record indicator light begins to flash. To stop recording press the record button again, the LED record indicator no longer flashes but remains in standby. Turning off the camera module with the on /off button when the record indicator LED is flashing will delete the file that is recording. Always use the record button to stop recording before switching off the camera module. To view the files that have been captured remove the micro SD card and insert this into your PC, laptop or tablet.

- 1b** The user can focus the camera on the rifle scope reticle without removing the camera from the rifle scope sleeve. Turning the focusing wheel rotates the lens wheel in the same direction. Turning the lens wheel anti-clockwise decreases the range of the focal point. Turning clockwise increases it.

Lens flare and coatings

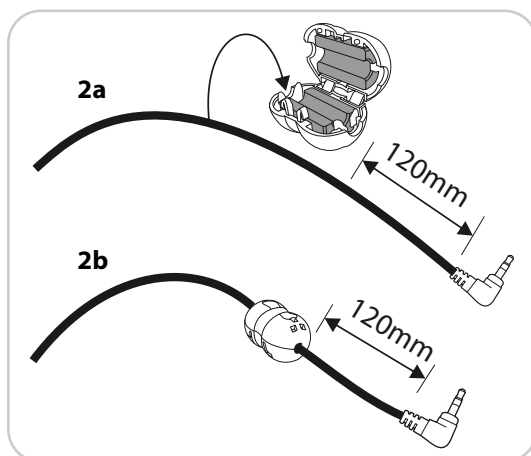
Objects such as a moderator/silencer or an iron sight can cause the infra-red light emitted from the illuminator to reflect back into the scope causing flare. To reduce flare, you should:

- Use a sun shade on the front of the scope.
- Utilise dimming screen feature
- Add a non-reflective coating or material to the moderator/silencer and barrel or, if possible, use a smaller diameter moderator.
- Remove the front site (fore-sight).
- Use higher scope mounts.
- Mount the Illuminator as close to the objective lens as possible

Riflescope compatability

Some scope manufacturers have a coating that reduces infra-red light passing through the scope optic. The NiteSite system is not as effective with scope lenses that have such coatings. To get the best results from the NiteSite system use a scope that has variable zoom feature with front or side parallax focus capability.

Ferrite installation



2a Place the LCD screen & illuminator module cable into the ferrite approximately 120mm from the end of the right-angle plug.

2b With the cable in place carefully close the ferrite over the cable so that the ferrite snaps together.

This device complies with part 15 of the FCC rules.

WiFi iOS and Android set up

The optional WiFi capability on the RTEK camera module allows you to live stream video of your hunt to an iOS or Android device



Note: When changing password, this is only entered once. Any error made in setting may need the unit to be factory reset.

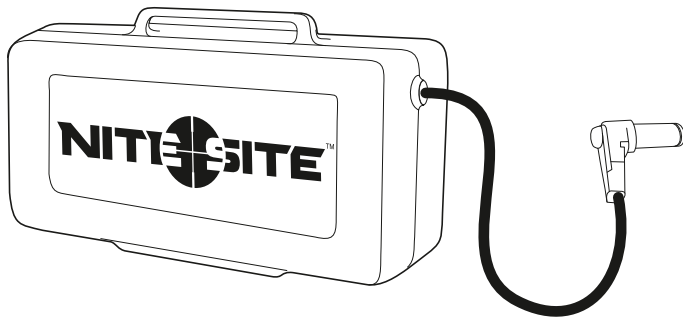
Set up NitePlayer - iOS

- Enter the App store on your Apple device and search for the 'NitePlayer' app. Select the NitePlayer App to download it
- Enter the settings on your Apple device. Select WIFI and choose the NiteSite WIFI option. (password: 12345678) It may take a few seconds to connect

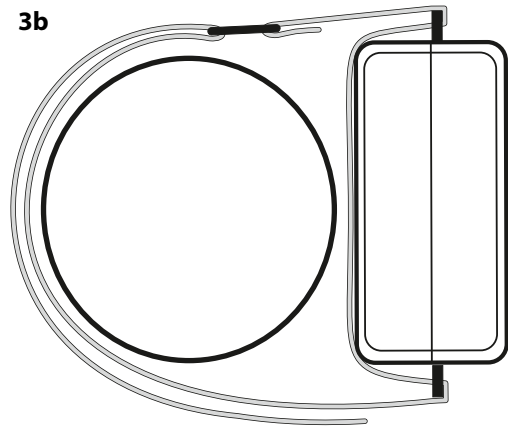
Set up NitePlayer - Android

- Select Google play on your Android device. Search for 'NitePlayer' and install NitePlayer.
- Enter settings on your Android device, select WIFI and choose the NiteSite WIFI option. (Password: 12345678)

3a



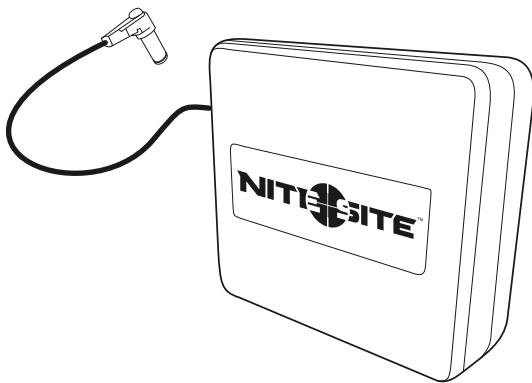
3b



3a Scope mounted battery - The 2000mAh lithium-ion battery can be fitted on the scope sleeve during use. The typical runtime for this product is 4 hours on half IR, depending on which product that it is used with. The battery has a Velcro strap for mounting to the scope. Never take apart the lithium-ion battery

3b Feed the Velcro strap through the strap points on both sides of the battery case, down one side and up through the other side so that the Velcro strap is under the back of the battery. Place the battery in position on the scope sleeve and feed the strap round the scope sleeve and through the buckle. Now double back the Velcro strap under the scope sleeve and pull tight.

3c



3c Stock mounted battery - The 6000mAh lithium ion battery will give an extended operational run time . Additional batteries can be purchased separately depending on your usage.

Battery chargers

The battery charger comes with a compatible mains pin configuration for your region. To charge the lithium-ion battery, the battery charger must be connected to the mains wall socket. Once the green light is on simply connect the NiteSite lithium-ion battery pack DC plug into the charger DC socket. The lithium-ion battery chargers green light will change to red. The red light indicates that the battery is correctly connected and that the battery is being charged. The indicator light will turn green once the lithium ion battery is fully charged.

Charging times will vary, depending on the type of battery pack and its charged condition. The lithium-ion battery is supplied in a discharged condition and must be fully charged before use.

Always connect the correct lithium-ion battery charger to the correct lithium-ion battery supplied in the kit. Please check you have the correct charger by checking the label located on the battery charger. If in doubt please contact customer services

To prevent potential leakage, overheating or explosion of the battery please be advised of the following precautions.

- Only use the NiteSite supplied lithium-ion battery charger.
- Do not dispose of the battery into an open fire
- Do not immerse in water. Always store in a cool dry environment, away from any metal objects such as pins, nails, keys, jewellery, coins etc.
- Do not leave near a heat source, such as a fire or heater.
- Do not connect the battery directly to an electrical socket outlet.
- Do not short out the battery cables or trap the cable causing a short circuit.
- Do not transport the battery with any metal objects described above.
- Do not strike or throw against hard surfaces.
- Do not pierce the battery with any sharp object.

Caution!

- Do not leave the battery in direct sunlight for prolonged periods of time.
- Do not use in a location where static electricity is evident or the safety circuitry may be damaged.
- Should the battery electrolyte get into the eyes due to leakage do NOT rub the eyes! Rinse with copious amounts of clean water and seek medical attention immediately. Failure to do so may result in permanent damage to the eyes or loss of sight.
- If the battery gives off an odour, generates heat, becomes mis-shaped, or abnormal during use, recharging or in storage, immediately remove the battery pack and place it in a contained vessel such as a metal box, before contacting customer services.
- In case the battery connector is contaminated with debris of any kind during use clean with a dry cloth. Otherwise power failure may occur due to a poor connection from the battery to the NiteSite or to the battery charger.
- Do not use abrasives or solvents to clean the connector plug or battery case.
- Discarded batteries may catch fire so always tape over the battery terminals before disposal.
- Do not take the battery case apart or tamper with the battery pack.

Care and maintenance

After each use and during transport, store the NiteSite equipment in the carry case provided.

Take care not to damage the connecting cables during use. Short circuiting the battery cables could cause burns and fire.

Always keep the battery in the pouch provided. Always fix securely in place during use, utilising the stock mount pouch or Velcro fixings provided. Belt mounted battery pouches are available.

Wipe any debris using a soft moist cloth. Do not use cleaning agents of any kind and always disconnect the battery before cleaning the NiteSite equipment.

To get the most out of the NiteSite equipment, keep the LCD screen & infra-red illuminator front lens clean and free from debris.

The NiteSite equipment is not water proof, only shower proof. Always cover the equipment in rainy conditions.

Safety Information

Never look directly into the infra-red illuminator. The unit can emit very high concentrated non-visible infra-red light which can be hazardous to the human eye. Ensure all relevant legislation relating to safe use of the product is followed.

The NiteSite equipment must be used adopting a "heads up" shooting position. Failure to do so may result in the camera module impacting the facial area due to the recoil of some rifles.

Persons using the NiteSite equipment under the age of 16 must be supervised by an adult.

Do not attempt to make any repairs to the NiteSite equipment as this will void any guarantee and could cause personal injury and may cause further damage to the NiteSite equipment.

Do not store any part of the NiteSite equipment near open flames or other forms of excessive heat.

The NiteSite equipment is made of durable ABS polymer, under excessive heat this could be compromised.

NiteSite users should comply with all gun law and adhere to safe working practices.

General disposal

UK: Waste electrical products should not be disposed of with household waste. Separate disposal facilities exist. For your nearest facilities, please contact your local authority for details.

Dispose of batteries in an environmentally friendly way.

Certain regions may regulate the disposal of batteries. Please consult your local authority.

In EC countries batteries must be recycled according to guideline 91/157/EEC

NiteSite guarantee

Your new NiteSite equipment comes with a 24 month guarantee protecting you against electrical and mechanical breakdown. Please see terms and conditions below. There is a 12 month guarantee on battery packs.

It is important to register the purchase of your product in order to ensure that you receive prompt and efficient assistance in the event of it requiring attention during the guarantee period.

NiteSite guarantee conditions

We at NiteSite undertake that if within 24 months of the date of purchase the NiteSite equipment or any part thereof (excluding batteries) is proved to be defective by reason only of fault of workmanship or materials, we will, at our discretion repair or replace the same FREE OF ANY CHARGE for labour, materials on condition that:

- 1) You are the original purchaser and not an assignee or subsequent purchaser of the equipment.
- 2) The product has been used in accordance with the manufacturers operating and maintenance instructions.
- 3) The product has not been serviced, maintained, repaired, taken apart or tampered with by any persons not authorised by NiteSite.
- 4) All service work under this guarantee must be undertaken by the NiteSite customer service department .
- 5) Any product or defective part replaced shall become the property of NiteSite.

Please Note

- A) This guarantee is in addition to your statutory and other legal rights.
- B) NiteSite will return product by courier within 28 days of receipt.
- C) The company's liability under this warranty is limited to the said repairs or replacement and shall under no circumstances extend to any financial losses alleged to have been suffered by the claimant.
- D) In the event of repairs or replacement being made under the terms of this warranty in the circumstances where the opinion of the company the defect has not been caused by the company's materials or workmanship then the company reserves the right to charge the claimant at its current hourly rates and list prices in respect of any employees time and any replacement parts.
- E) No authority has been given to any person, firm or company, to vary the terms of this guarantee.

The guarantee does not cover the following:

- 1) Damage resulting from transportation.
- 2) Damage resulting from improper use or neglect.
- 3) Consequential damage resulting from unauthorised repair work.
- 4) Accidental damage.
- 5) Damage resulting from modification attempts.